



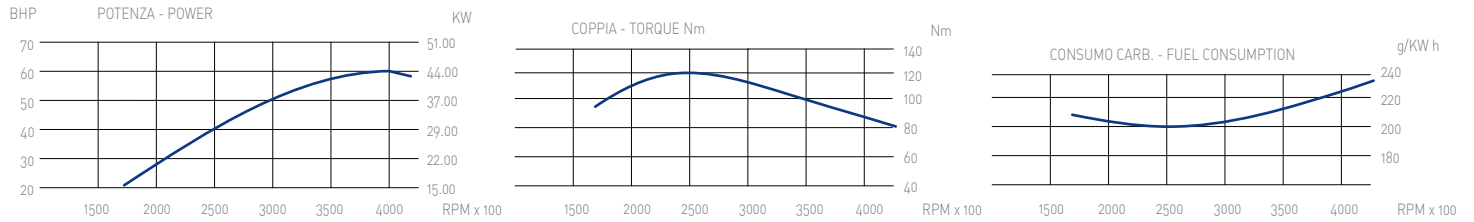
MARINE DIESEL ENGINES



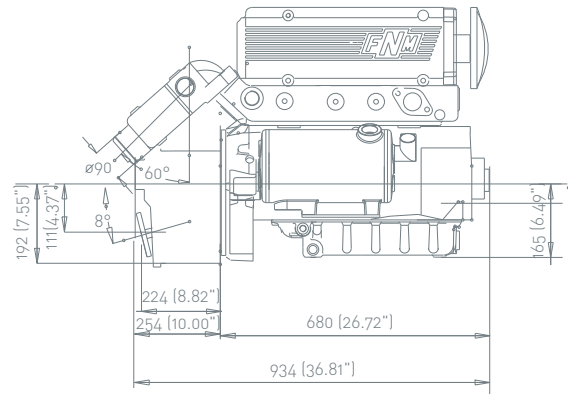
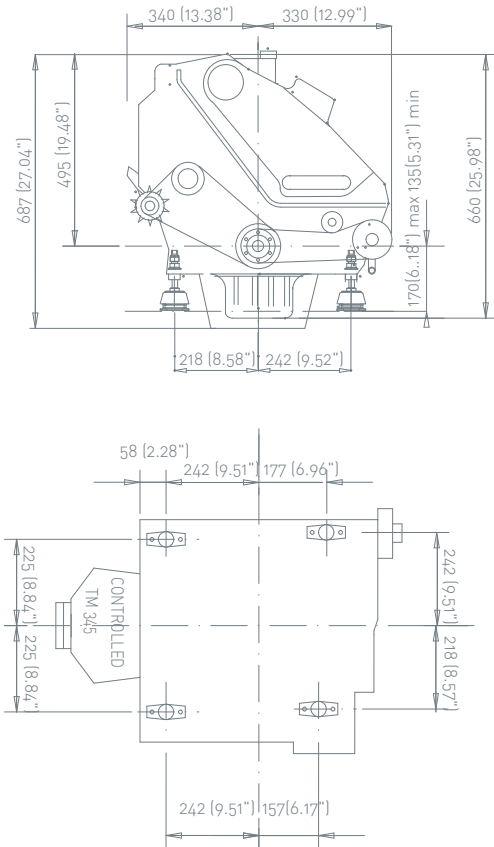
FNM AM 60

Configuration	4-stroke cycle
Maximum output at crankshaft	44 kW/60 hp at 4000 rpm
Maximum output at propeller	41 kW/56 hp at 4000 rpm
Maximum torque	102 Nm at 2500 rpm
Displacement	1.926 c.c.
Bore x stroke	82,55 x 90 mm
Cylinders	4, in-line
Combustion system	Indirect injection (I.D.I.)
Aspiration	Naturally aspirated
Starting system	Electric starting 12 V – 1,7 kW
Alternator	14 V – 65 A
Cooling system	Double water cooling system with heat exchanger
Lubrication system	Totally enclosed, forced lubricating system with pump
Max. mounting inclination	13°
Dry weight without gear	212 kg
Environmental	Meets the EU comprehensive emissions regulation 2006
Engine mounting	Rubber type anti-vibration mounting

Performance Curves [Output is according to ISO 8665]



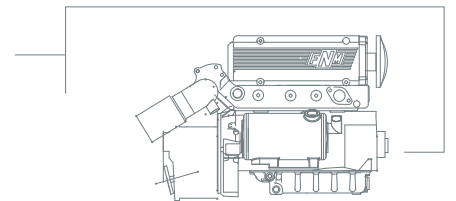
Dimensions [For detailed line-drawings, please refer to our website www.fnm-marine.com or contact your supplier]



FNM AM 60 with TMC 60 gearbox

Instrument Panel

- VDO Oil pressure
- VDO Water temperature
- VDO Rpm counter
- 4 meter cable



Accessories

Standard Package

- Gearbox
- Set of flexible mounts
- Alternator 14 V - 65 A with built-in regulator
- Starter motor 12 V - 1,7 kW
- Oil and fuel filters

- Stainless steel seawater-cooled elbow
- Instrument panel with 4 mt. cable
- Bronze seawater pump
- Water-cooled exhaust manifold

Optional

- Kit for boat internal heating
- 2 mt. auxiliary extension cable

- Trolling valve
- 2-groove front pulley

Text and illustrations are not binding. CMD, owner of the FNM brand, reserves the right to introduce adaptations without prior notification. Compliant with the RCD 2003/44/CE emission standards.

